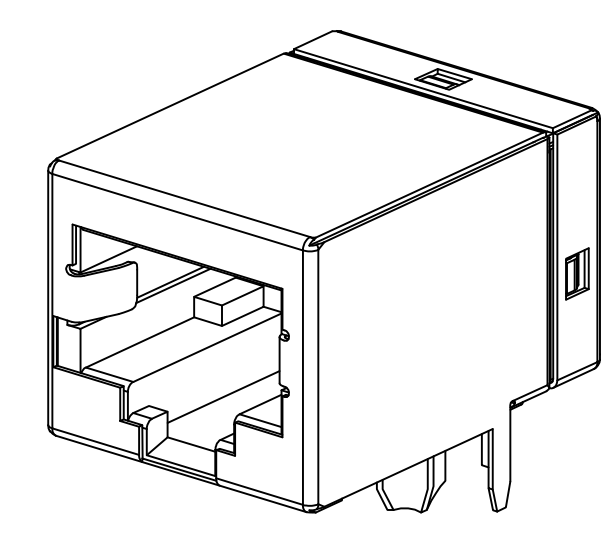
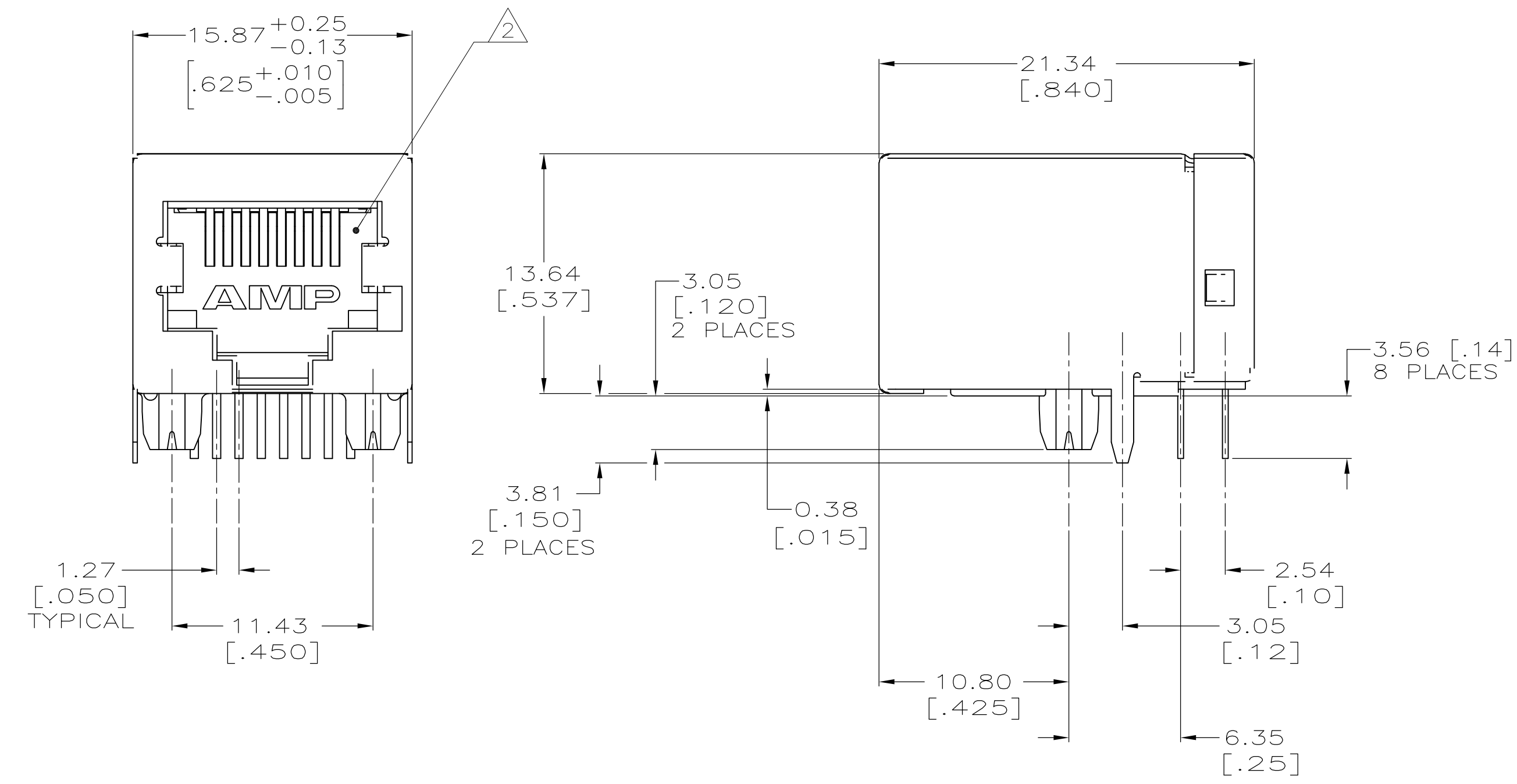
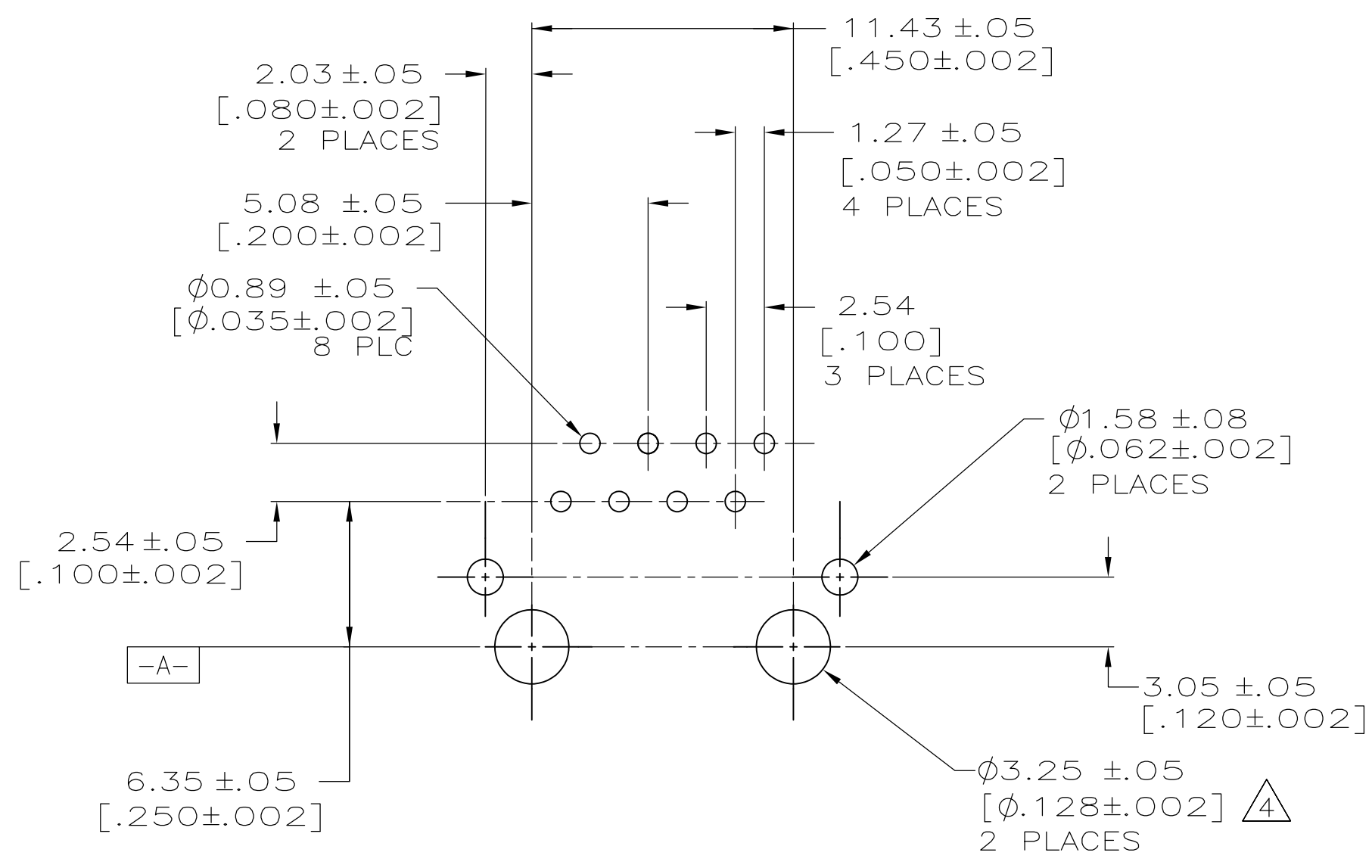


LOC	DIST	REVISIONS			
AA	22	REV	DESCRIPTION	DATE	BY
		B2	REVISED PER ECO-11-005033	26MAR11	RK HMR

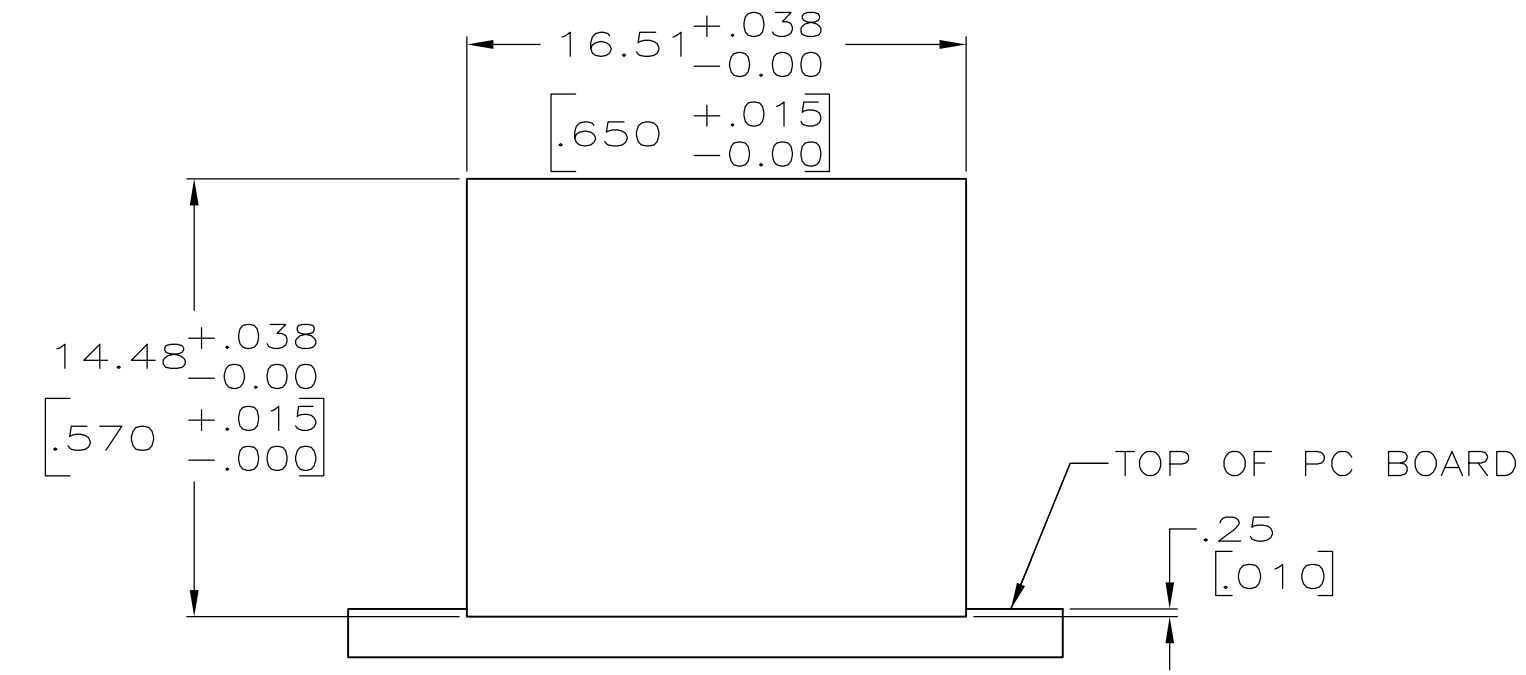


SCALE 2:1

- 1 MATERIAL: HOUSING - PCT POLYESTER, BLACK, UL 94V-0, IR COMPATIBLE.
TERMINALS - 0.33[.013] THICK PHOS BRONZE PLATED WITH 1.27 μ m[.000050] MINIMUM THICK HARD GOLD IN LOCALIZED AREA AND 3.81 μ m[.000150] MINIMUM THICK MATTE TIN IN SOLDER AREA OVER 1.27 μ m[.000050] MINIMUM THICK NICKEL UNDERPLATE.
SHIELD: .254mm[.010] THICK COPPER ALLOY PLATED WITH 1.27 μ m[.000050] MINIMUM NICKEL AND 2.03 μ m [.000080] MINIMUM HOT TIN DIP ON PCB GROUND TABS.
- 2 JACK CAVITY CONFORMS TO FCC RULES AND REGULATIONS, PART 68 SUBPART F.
- 3. ALL DIMENSIONS SHOWN ARE NOMINAL UNLESS OTHERWISE SPECIFIED.
- 4 USE #30 DRILL BIT OR 3.25mm DRILL BIT WHEN PRODUCING THESE PCB HOLES.



SUGGESTED PC BOARD LAYOUT (COMPONENT SIDE)



SUGGESTED PANEL CUTOUT

5557786-1
PART NUMBER

THIS DRAWING IS A CONTROLLED DOCUMENT.		DWG: G. ATTADIA - 15JUN2005	STE TE Connectivity	
DIMENSIONS: mm [INCHES]		CHK: J. WESTMAN 15JUN2005	NAME: MODULAR JACK ASSEMBLY, 8 POSITION, RIGHT ANGLE, LOW PROFILE, SHIELDED, PC BOARD GROUND	
TOLERANCES UNLESS OTHERWISE SPECIFIED:		APVD: S. FLICKINGER 15JUN2005	PRODUCT SPEC: 108-1163	
0 PLC ± -		APPLICATION SPEC: 114-2048		
1 PLC ± -		SIZE: A1		
2 PLC ± 0.25[.010]		CAGE CODE: 00779		
3 PLC ± -		DRAWING NO: 5557786		
4 PLC ± -		RESTRICTED TO: -		
ANGLES ± -		WEIGHT: -		
MATERIAL: △	FINISH: △	CUSTOMER DRAWING		
		SCALE: 4:1	SHEET: 1 of 1	REV: B2